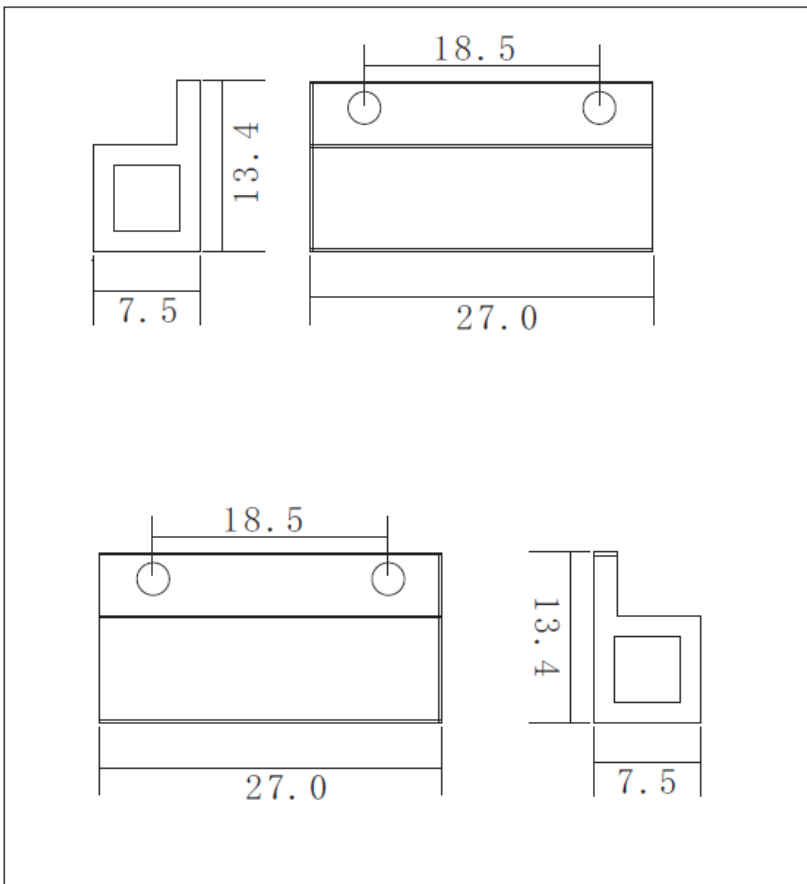


# Inbuilt magnetic reed switch (LS-311-B38)

## Parameters

- Mainly for wooden doors and windows.
- Current / Voltage / Power: 0.5A / 100V / 10W
- Housing color: white
- Housing material: high quality ABS, OKI reed switch; # 1007 / # 24 UL 350 mm cable
- Working distance: 15-20 mm, 20-25 mm
- Mounting: strong double-sided tape or screw
- Switch type: NC - normally closed (alarm open circuit)
- Packing: 20 pieces in the bag
- Includes 4 screws
- Tolerance:  $\pm 0.5$  mm

## Install



*Illustration 1: Install distance between receiver and magnetic part (when closed) less than 5mm*

# Inbuilt magnetic reed switch (LS-311-B38)

## ***Datasheet***

Model : Inbuilt magnetic reed switch

Model number: LS-311-B38

## ***Technical parameter***

1. Case Material: high quality imported ABS, OKI reed; 1007 # / 24 # 350mm wire
2. Working Distance:15-20mm ,20-25mm
3. Mounting: with strong double-sided end of plastic, with screw mount
4. Feature: With a double-sided adhesive, simple, regardless of left and right, easy to install
5. Switch Type: NC - normally closed (open circuit alarm)

Port:	Shenzhen
Place of Origin:	Guangdong, China (Mainland)
Brand Name:	Lionshield
Installing:	Inbuilt type
Current/voltage/power:	0.5A/100V/10W
Color:	White